

# SAGOLA

an Elcometer company



## SAGOLA 4600

*Our best  
spray guns  
just got better!*

*Now with*

**DFT**<sup>™</sup>  
Dynamic Flow Technology

**M2M**<sup>™</sup>  
Metal to Metal Technology

# NEW SAGOLA 4600 SPRAY GUN

SAGOLA presents its top technological expression in bodywork finishing spray guns. Smaller, lighter, more comfortable and with the new Dynamic Flow Technology™.

With a new shiny and modern design and most carefully designed ergonomics which offer enviable balance and usability and perfect mechanisation. SAGOLA tackles all present challenges of vehicle refinishing.

With this model SAGOLA offers the widest range of solutions for all the new paints launched by the main paint brands for refinishing.

The New SAGOLA 4600 is launched with the highest SAGOLA manufacturing standards, competitive prices whilst maintaining a superb service and offering the best warrantee (3 years). All this with strict compliance with the most demanding standards of manufacture and emissions of solvents, with 4600 EPA and 4600 HVLP systems.



## SAGOLA 4600 **BASE**

The Ultimate Basecoat Spray Gun for Colours, Metallics or Silvers

- Ideal for waterborne and solvent basecoats.
- Making it easier to colour match metallics, silvers & pearls.
- Maintains the uniformity of metallic colours even at low pressures.
- HVLP performance in an EPA Compliant gun.
- Standard or digital versions available.



## SAGOLA 4600 **HVLP**

Designed for High Volume Low Pressure Applications

- Ideal for waterborne and solvent basecoats and specialist coatings.
- Large fan size to reduce application distance increasing transfer rates.
- Our fastest HVLP application speed.
- Maximum reduction of overspray.
- Standard or digital versions available.



### Professional SAGOLA solution for all finishing paints



## SAGOLA 4600 **CLEAR**

Designed for clearcoats, single stage paints and OEM quality finishes

- For clearcoats high solids / ultra high solids and single stage products.
- Ideal for matching OEM quality finishes.
- Maximum application speed.
- Minimal overspray.
- Ultra fine atomization.
- Standard or digital versions available.



## SAGOLA 4600 **CLEAR PRO**

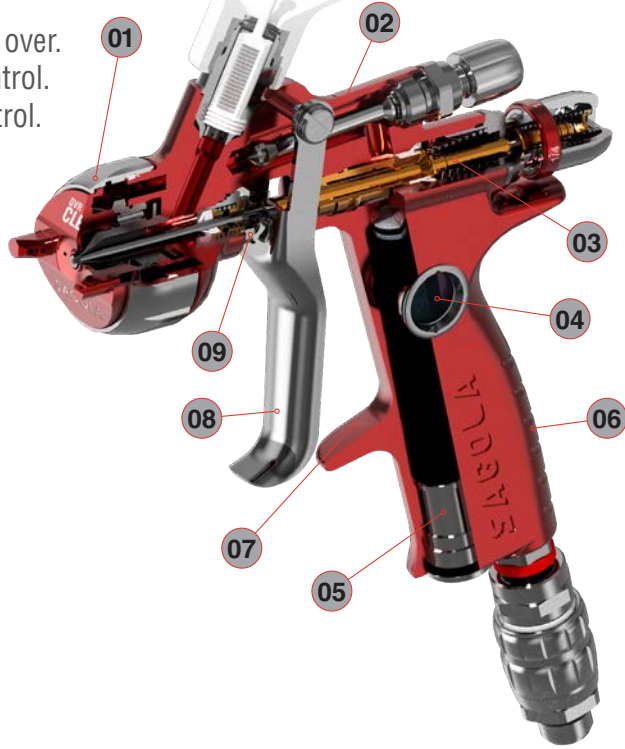
Perfect for luxury mirror finishes, clearcoats and single stage paints

- High gloss in express drying clearcoats.
- Maximum application speed.
- Maximum control. Large fan size.
- Minimal overspray.
- Premium mirror finishes.
- Standard or digital versions available.



# FUNCTIONAL ADVANTAGES

- 01** Easy release aircap for fast cleaning or change over.
- 02** Perfectly balanced for greater comfort and control.
- 03** Soft flow fluid valve for ultimate precision control.
- 04** Optional digital pressure gauge displays accurate pressure at the nozzle.
- 05** Widely available, user replaceable batteries.
- 06** Comfortable, slim handle ideal for small or large hands to spray for longer.
- 07** Light weight body to minimise sprayer fatigue. Anodised, no peel, forged aluminium body, ensuring your gun looks as good as your finishes.
- 08** 2 stage trigger with no pressure drop - no need to test before spraying. Angled trigger guide avoids finger trap.
- 09** Self-adjusting, lifetime packing gland tested to 2 million cycles.



## DYNAMIC FLOW TECHNOLOGY™

Dynamic Flow Technology™ harnesses the ambient air around the aircap allowing the Sagola 4600 spray gun to provide a flawless finish even at lower working pressures.

- Greater fan stability.
- Superior atomization.
- Uniform fan from top to bottom.
- Less bounce back, less overspray.
- A more precise application with easier overlapping.
- Less painting defects such as shadowing, patch coats and striping.
- An even paint distribution - ideal for difficult base colours such as metallics, silvers, pearls.



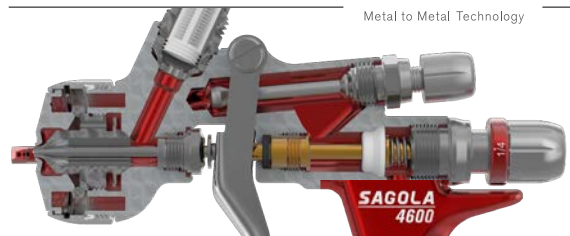
**DFT**<sup>™</sup>  
Dynamic Flow Technology

## METAL TO METAL™

Greater reliability, easier to clean, cheaper to maintain.

For over 70 years Sagola have been manufacturing industry leading spray equipment, often setting the benchmark for others to follow.

Our state-of-the-art European production facilities uses aerospace grade engineering which allows us to create spray guns using metal to metal technology - which means our spray guns have fewer joints, o-rings and seals than any other spray gun on the market.



**M2M**<sup>™</sup>  
Metal to Metal Technology

- Low maintenance.
- Fewer wearing parts.
- Low cost of ownership.
- Fast clean & colour change.
- No packings, joints or seals in fluid area.
- Greater reliability.

# TECHNICAL DATA **SAGOLA 4600**



	DIGITAL VERSION		STANDARD VERSION	
	Weight with cup	665.6 g.	1.44 lbs	675 g.
Weight without cup	471 g.	1.04 lbs	492.8 g.	1.09 lbs
Air inlet connection	BSP 1/4" Male (high flow)		BSP 1/4" Male (high flow)	
Product Filter	80-mesh product filters		80-mesh product filters	
Recommended Working Pressure	2.0 bar	29 psi	2.0 bar	29 psi
Supplied Cup Capacity*	650 ml.	22 fl oz.	650 ml.	22 fl oz.
Average sound pressure level	max. 80 dB		max. 80 dB	
Battery type	Duracell/Varta CR 1/3N		-	
Materials in contact with the product	Anodised Aluminium, Polyoxymethylene, Stainless Steel			

\*Sagola DPC™ Disposable Paint Cups are also available



Output Flow	191 - 227 g/min.	170 - 198 g/min.	185 - 219 g/min.	196 - 229 g/min.
	6.7 - 8 oz/min.	6 - 7 oz/min.	6.5 - 7.7 oz/min.	7 - 8 oz/min.
Air Consumption	280 L/min.	450 L/min.	295 L/min.	315 L/min.
	9.88 cfm	15.89 cfm	10.42 cfm	11.12 cfm
Fan Width	290 - 315 cm.	290 - 325 cm.	275 - 295 cm.	285 - 310 cm.
	11.4 - 12.4"	11.4 - 12.8"	10.8 - 11.6"	11.2 - 12.2"
Application Distance	18 - 20 cm.	15 - 18 cm.	18 - 20 cm.	18 - 20 cm.
	7 - 7.9"	6 - 7"	7 - 7.9"	7 - 7.9"
Air Inlet Pressure	1.8 - 2.0 bar	2.0 bar	2.2 bar	2.2 bar
	26.1 - 29 psi	29 psi	32 psi	32 psi

# VERSIONS **SAGOLA 4600**

## SPRAY GUN CODES

### SAGOLA 4600 STANDARD



	SAGOLA 4600 BASE	SAGOLA 4600 HVLP	SAGOLA 4600 CLEAR	SAGOLA 4600 CLEAR PRO
1.20	10142401	10142404	10142403	10142402
1.20 XL	10142413	10142416	10142415	10142414
1.30	10142405	10142408	10142407	10142406
1.30 XL	10142417	10142420	10142419	10142418
1.40	10142409	10142412	10142411	10142410

### SAGOLA 4600 DIGITAL



	SAGOLA 4600 BASE		SAGOLA 4600 HVLP		SAGOLA 4600 CLEAR		SAGOLA 4600 CLEAR PRO	
	BAR	PSI	BAR	PSI	BAR	PSI	BAR	PSI
1.20	10142421	10142441	10142424	10142444	10142423	10142443	10142422	10142442
1.20 XL	10142433	10142453	10142436	10142456	10142435	10142455	10142434	10142454
1.30	10142425	10142445	10142428	10142448	10142427	10142447	10142426	10142446
1.30 XL	10142437	10142457	10142440	10142460	10142439	10142459	10142438	10142458
1.40	10142429	10142449	10142432	10142452	10142431	10142451	10142430	10142450

## AIR CAP CODES



DVR BASE

56418759



DVR HVLP

56418761



DVR CLEAR

56418762



DVR CLEAR PRO

56418760

Interchangeable between all new Sagola 4600 spray guns

## Ordering information

The **Sagola 4600** is available to purchase as a complete kit with the aircap, needle and nozzle specified, supplied and fitted.

### Each box contains:

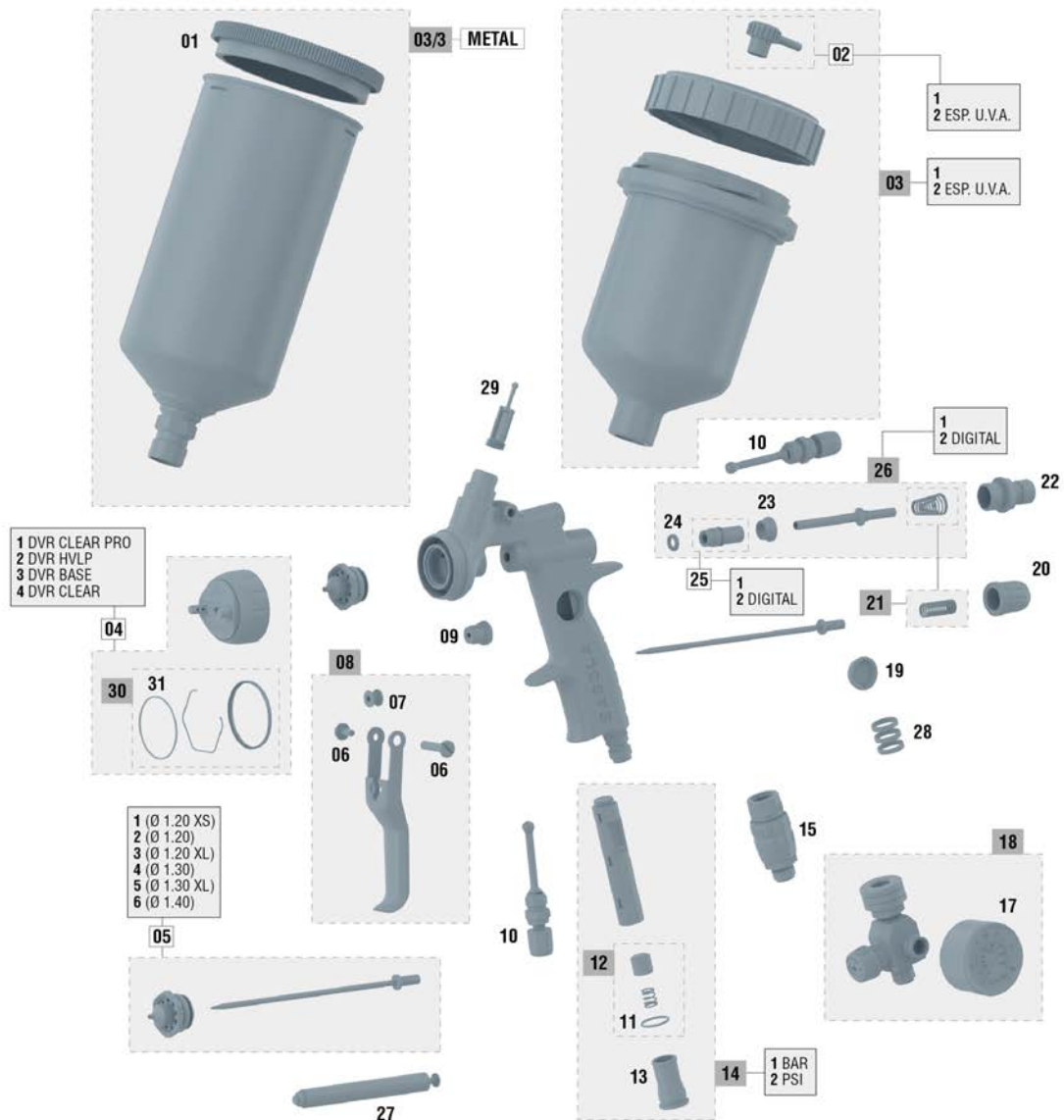
- Sagola 4600 gun, aircap, needle and nozzle
- 650 ml (22 fl oz) reusable paint cup
- Universal maintenance wrench
- Air valve wrench
- Cleaning brush
- Colour code rings



# SAGOLA WARRANTY

**SAGOLA** offers a **3-year guarantee** for its entire product range, that covers any design or manufacturing defect in its products. Any defect in its design will be repaired or replaced free of charge to the client.

**SAGOLA** is synonymous with **quality and service**. For this reason SAGOLA offers comprehensive guarantee of the service of components and spare parts for the perfect maintenance of all its products, even those sold over 10 years ago.



N°	Código	Ud	N°	Código	Ud	N°	Código	Ud	N°	Código	Ud	N°	Código	Ud
01	57111513	1	04/4	56418762	1	08	56418632	1	17	54550009	1	25/2	57212223	1
02/1	55712157	1	05/1	10011164	1	09	56411616	1	18	56418020	1	26/1	56418634	1
02/2	55712170	1	05/2	10011137	1	10	56415258	2	19	56410065	1	26/2	56418636	1
03/1	56418432	1	05/3	10011145	1	11	54250985	1	20	56415121	1	27	50210214	1
03/2	56418433	1	05/4	10011138	1	12	56418440	1	21	56418633	1	28	56418635	1
03/3	56418505	1	05/5	10011139	1	13	55710004	1	22	56411624	1	29	56418438	1
04/1	56418760	1	05/6	10011140	1	14/1	56418442	1	23	54110012	1	30	56418677	1
04/2	56418761	1	06	56418631	1	14/2	56418559	1	24	56418441	1	31	56418681	1
04/3	56418759	1	07	51910607	1	15	56418519	1	25/1	57212205	1			

**REMEMBER, always use original SAGOLA spare parts in order to guarantee the proper operation of your painting equipment**

# MORE FROM SAGOLA



## SAGOLASPRAY™ VR KIT

### Virtual Reality For Spray Painting Training

Get hands on, paint spraying experience without getting your hands dirty! Sagola SPRAY teaches spray techniques that can be practiced again and again. Learning in a VR environment is environmentally friendly, saving paint, materials and time. Get instant feedback and learn from your mistakes, just complete & repeat!

Distance - Fan Pattern - Speed

Students & Beginners, Teachers, Colleges & Training Centres, Industry & Professionals.



## SMART REPAIR KIT

Everything needed to complete spot repairs organised in one easy to carry case. Simple to use! Just unpack, plugin & paint. This kit is perfect for both spot and SMART (Small and Medium Area Repair Technique) repairs. Includes:

- Two Sagola Mini Xtreme Spray Guns
- Spare 1.2 Needle/Nozzle kit
- Mini Tech Air Cap with 0.6mm Needle/Nozzle kit
- 125ml & 200ml (4.23fl oz & 6.76 fl oz) Paint Cups
- 2 RC1 Flow Regulators, 2x 3M™ PPS Couplings, 2 Steel Connectors
- Lubricant



## DPC™ SYSTEM

Save time and money by choosing the Sagola disposable paint cup system. Simply choose the required cup size, available from 100 - 800 ml (3.38 - 27 fl oz) clip, twist and spray.



## AIR FILTERS

Our range of versatile, modular based air filtration systems ensure you can set up your spray booth to maximise air quality for consistent, high quality results.



## AIR HOSE & COUPLINGS

Our new range of cutting-edge design quick couplings are ideal for use with spray guns and pneumatic tools from the workshop. Our anti-static EPDM rubber hose has an exterior textile reinforcement and is ideal for spraying in the booth. The high security crimped ends are able to withstand the high temperatures of the booth.



## ALTAIR LED

High intensity led light system. Improve your finish quality by taking visual control of your layer coverage and fan overlap, as well as identifying the orientation of the metal or bead particles, avoiding irregular finishes such as orange peel.



## SPRAY GUN STORAGE

Keep your paint room organised and your tools safe with our spray gun locker system. With room to hang 5 spray guns and 2 shelves for accessories. Store your spray gun securely with our magnetic spray gun holder. Available in a single or double option.



## AIR HEATER

The Sagola 6000X Air Heater System heats compressed air to a constant working temperature to ensure a stable painting process and a reduction of relative humidity. This system will keep you painting even when there are large temperature differences between day and night, winter and summer.

---

SAGOLA S.A.U. will refuse any responsibility for the damage of defects caused by spray guns with a similar appearance to the originals.

These guns are imitations that **HAVE NOT BEEN MANUFACTURED BY SAGOLA, S.A.U.**

The SAGOLA S.A.U. products are exclusively sold through our distributors, with spare parts and a 3-year worldwide guarantee against design and/or manufacturing defects.

---

SAGOLA S.A.U. has always displayed the quality of its products with pride, but lately, in view of its ever more demanding clients, it has obtained certifications that vouch for the guarantee of its know-how and its impeccable organisational quality.



MADE IN  
**SPAIN**



CE UK  
CA

**SAGOLA, S.A.U.**

Urarte, 6  
01010 Vitoria - Gasteiz  
(Álava) SPAIN  
Tel.: (+34) 945 214 150  
Fax: (+34) 945 214 147  
sagola@sagola.com  
www.sagola.com